



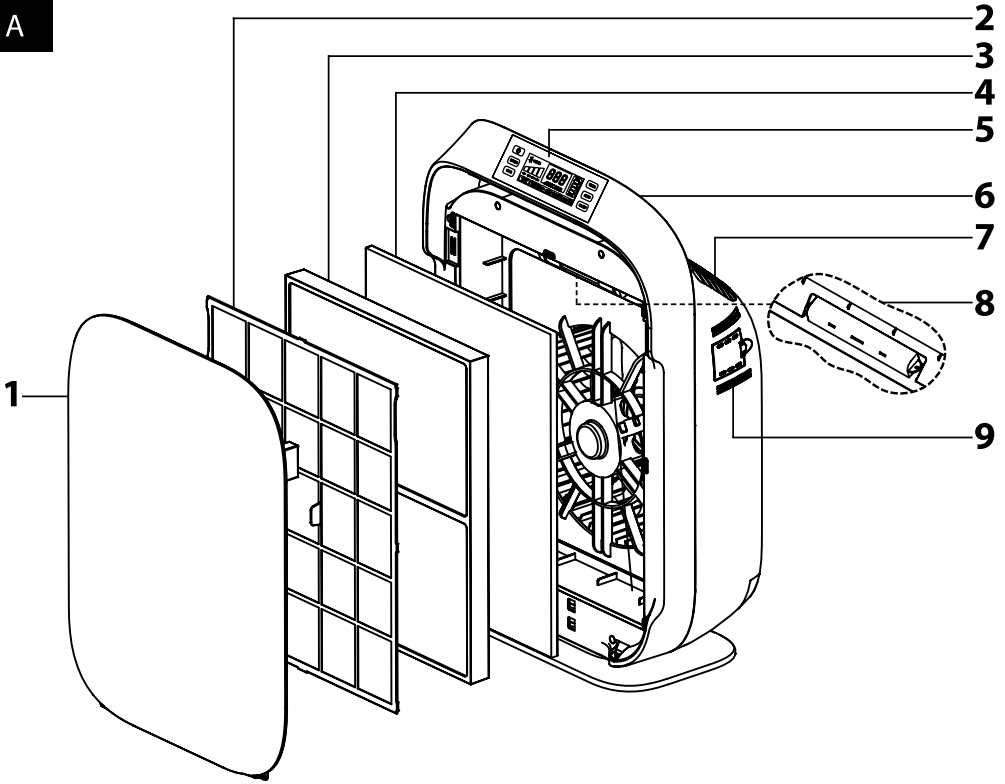
EN ■ Air Purifier

READ CAREFULLY AND STORE FOR FUTURE USE.

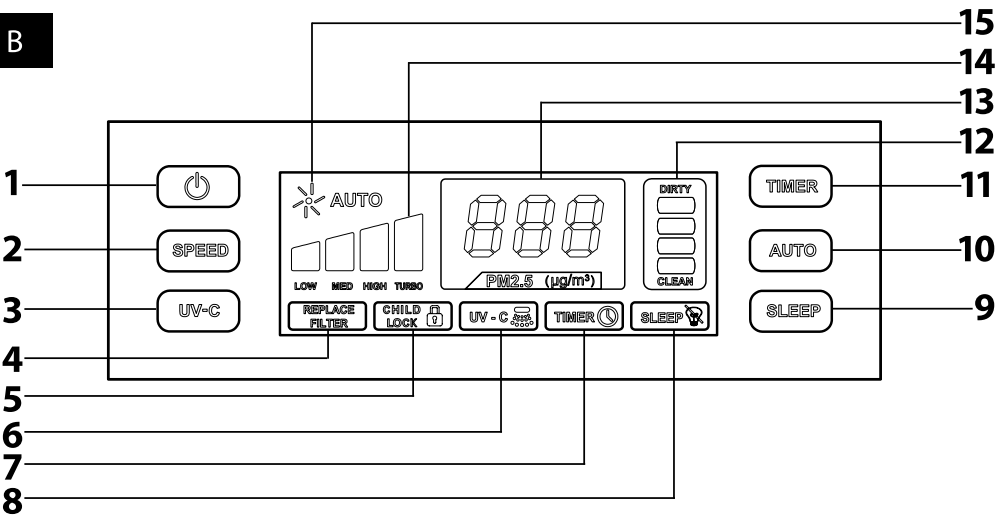
- Read all the instructions before using this appliance.
- This appliance may be used by children 8 years of age and older and by persons with physical or mental impairments or by inexperienced persons, if they are properly supervised or have been informed about how to use the appliance in a safe manner and understand the potential dangers. Children must not play with the appliance. Cleaning and maintenance performed by the user must not be performed by unsupervised children.
- If the power cord is damaged, it must be replaced by the manufacturer, its service technician or by a similarly qualified person, as this will prevent a dangerous situation from arising.
- This appliance is designed for household use only. Only use the appliance for the purpose for which it is intended and in the manner described in this user's manual. Any other use that is not recommended by the manufacturer may result in a fire, injury by electrical shock or injury to persons.
- Do not use this appliance outdoors.
- Only use the appliance on an even, clean, dry, rigid and stable surface.
- Do not place this appliance on a soft surface such as a bed or sofa as the appliance could be tipped over or the air inflow and outflow vents could be blocked.
- Never block the air inflow grille or the air outflow grille.
- Never throw or insert any items into the holes or vents of the appliance.
- To prevent the risk of fire or injury by electrical shock, connect this appliance directly to the correct type of alternating current (AC) power socket.
- Do not place any items on the appliance.
- Lead the power cord away from places with a lot of movement of people. Locate the power cord in places without any movement of people, where it cannot be tripped over.
- To prevent the risk of a fire, never place the power cord under carpets or in the vicinity of heating ducts, radiators, stoves or heaters.
- Do not cover the power cord with loose rugs, carpet runners or other similar accessories.
- Do not lead the power cord underneath furniture or the appliance itself.
- To prevent the risk of injury by electrical shock, do not submerge the appliance, power cord or power plug in water or another liquid. Do not use this appliance near water.

- Children are not capable of identifying risks associated with using electrical appliances. Therefore, always pay attention to children when they are in the vicinity of this appliance.
- This appliance is equipped with a fan.
- To reduce the risk of a fire or injury by electrical shock, do not use this fan with any speed regulator device.
- Always disconnect the appliance from the power socket when using it and before moving it, opening the grille, before replacing the filters, before cleaning it or other maintenance.
- Follow the instructions for cleaning and other maintenance performed by the user, which are included in this user's manual.
- Never look directly into a turned on UV-C lamp.
- Disconnect the appliance from the power socket by pulling the power plug out of the power socket. Do not disconnect the appliance from the power socket by pulling on the power cord.
- Do not use the appliance if the power cord or plug are damaged, if the fan motor is not rotating, when it is not working properly, if it has fallen on the floor or was damaged in any way. Send it to an authorised service centre for inspection or repair.
- Do not attempt to repair or adjust any electrical or mechanical functions of this appliance. This appliance does not contain any parts repairable by the user.
- In order to prevent a hazardous situation arising, do not repair the appliance yourself or modify it in any way. For all repairs, contact an authorised service centre. By tampering with the appliance, you risk voiding your legal rights arising from unsatisfactory performance or quality warranty.

A



B



EN Air Purifier

User's manual

- Prior to using this appliance, please read the user's manual thoroughly, even in cases, when one has already familiarised themselves with previous use of similar types of appliances. Only use the appliance in the manner described in this user's manual. Keep this user's manual in a safe place where it can be easily retrieved for future reference.
- We recommend saving the original cardboard box, packaging material, purchase receipt and responsibility statement of the vendor or warranty card for at least the duration of the legal liability for unsatisfactory performance or quality. In the event of transportation, we recommend that you pack the appliance in the original box from the manufacturer.

DESCRIPTION OF THE AIR PURIFIER

A1 Front cover	A6 Carry handle
A2 Inflow filter	A7 Air outlet
A3 HEPA filter	A8 UV-C lamp
A4 Carbon filter	A9 Dust sensor and reset button
A5 Control panel	

DESCRIPTION OF THE CONTROL PANEL

B1 On/Off button	B9 Control panel/child lock deactivation function
B2 Fan speed setting button	B10 Automatic purifier mode button
B3 UV-C lamp On/Off button	B11 Automatic shut-off button
B4 Filter replacement indicator light	B12 Air quality indicator light
B5 Child lock indicator light	B13 Display
B6 UV-C indicator light	B14 Fan speed indicator light
B7 Automatic shut-off indicator light	B15 Automatic mode indicator light
B8 Deactivate control panel indicator light	

AIR PURIFICATION SYSTEM

Inflow filter: Captures dust particles and allergens

Carbon filter: Absorbs formaldehyde, benzene and other harmful gases.

HEPA filter: Captures dust, smoke, pollen and other allergens.

UV-C lamp: Destroys microorganism such as microbes, viruses, bacteria and moulds (such as mould toxins).

Negative ions: Improve air quality. Negative ions are usually found in air especially near waterfalls or in forests. In this mode, negative ions give the air in the room its natural form.



Note:

Titanium dioxide is sprayed on to the cover of the UV-C lamp using a special method.

BEFORE FIRST USE

Before first use, carefully take the air purifier out of the transport box and plastic bag. Before storing or disposing of the packaging materials, check that you have taken out all the accessories and parts of the air purifier.

PUTTING THE PURIFIER INTO OPERATION

The purifier is supplied with the filters installed, however, these are wrapped in protective packaging for protection during transport. Before putting the purifier into operation, it is necessary to remove the protective packaging from the filters. Proceed as follows:

1. Insert your fingers into the recess along the sides of the purifier and carefully tilt open the top part of the front cover **A1** towards yourself. Then lift the front cover **A1** upwards so that the hooks on the underside of the cover are released from the bottom part of the purifier.
2. In sequence, remove the inflow filter **A2**, HEPA filter **A3** and carbon filter **A4**.
3. Remove the protective packaging from all the filters.
4. Now insert the filters back into the air purifier in the following order: carbon filter **A4** (the straps on the filter should point outwards), HEPA filter **A3** (straps on the filter should point outwards) and finally the inflow filter **A2** (the side with the rim should point outwards)
5. Attach the front cover **A1** by inserting the hooks at the bottom of the cover into the holes in the bottom part of the purifier and then push the top part of the front cover **A1** towards the purifier unit.

USING THE AIR PURIFIER

- Place the purifier on a stable, even, dry and firm surface within reach of a power socket. To ensure correct air circulation, the appliance should be at least 30 cm away from walls and furniture.
- Check that no grille is blocked and that the air purifier is properly assembled with the filters correctly installed.
- Connect the power cord to a power socket.



Note:

For carrying the air purifier, only use the carry handle **A6**.

1. Turning the air purifier on/off.

To turn the air purifier on and off, use the On/Off button **B1**. Using this button will also concurrently turn the negative ion generator on/off.

2. Setting fan speed

When the air purifier is running, use button **B2** to set the fan speed. Press button **B2** again to change the fan speed in the following order: LOW – MED – HIGH – TURBO. Depending on the selected speed also the respective part of the fan speed indicator light **B14** will be lit.

3. Turning the UV-C lamp on and off

Press UV-C lamp button **B3** once to turn on the UV-C lamp. The UV-C lamp indicator light **B6** will be lit on the control panel **A5**. Press the UV-C lamp button **B3** again to turn off the UV-C lamp. The UV-C lamp indicator light **B6** will turn off.

4. Automatic shut-off function

The automatic shut-off button **B11** serves to set the time interval after which the air purifier will automatically shut off. Set the time interval by repeatedly pressing the automatic shut-off button **B11**. The set time interval will appear on the display.

5. Automatic mode

Press button **B10** once to turn on the air purifier automatic mode. The automatic mode indicator light **B15** will be lit. In this mode, the air purifier will automatically set the fan speed based on air quality. Press button **B10** again to turn off the automatic mode. The automatic mode indicator light **B15** will turn off.

6. Turning off the control panel

If you need to turn off the control panel, press button **B9**. The Deactivate control panel indicator light **B8** will start flashing for 10 seconds and then the control panel will turn off. The control panel will be turned off, however the air purifier will continue to operate in the set mode. Press any button on the control panel to activate it (it turns on). Once the Deactivate control panel indicator light **B8** starts flashing again for 10 seconds, the control panel will turn off for 10 seconds. Press button **B9** to cancel the deactivation of the control panel function.

7. Child safety lock

The child safety lock function enables the control panel to be locked in order to prevent children from playing with it and accidentally changing the air purifier mode. Hold down button **B9** for approximately 3 – 5 seconds and the child safety lock indicator light **B5** will be lit. The control panel will be locked and it will not be possible to change the settings of the air purifier. To deactivate the child safety lock, hold down the button **B9** for 3–5 seconds, the child safety lock indicator light **B5** will turn off.



Note:

If you simultaneously activate the Deactivate control panel function and the child safety lock function, press any button on the control panel to activate it, however, it will not be possible to use the panel until the child safety lock is deactivated.

8. Filter replacement indicator light

When the filter replacement indicator light **B5** is lit on the control panel **A5**, it is necessary to replace the HEPA filter **A3** and the carbon filter **A4**. Depending on the frequency of use, the filter replacement indicator light **B4** will light up, as a rule, after approximately 6000 hours of operation (approx. 6 months). The HEPA filter **A3** and carbon filter **A4** have approximately the same lifetime, therefore always replace them at the same time. After replacing the filters, press the filter replacement button **A9** to reset the system. It is important that the filter replacement indicator light **B4** turns off.

9. Air quality indicator light

The air quality indicator light **B12** indicates the air quality in the room as measured by a dust sensor. It is therefore important to clean the dust sensor regularly.

Air quality is defined as the size and volume of air-borne dust particles. The value PM2.5 designates the particle size of air-borne dust measuring 2.5 µm and the value represents the total volume of airborne dust in µg/m³. Your air purifier may register the following values:

PM2.5: 0 – 50	High air quality
PM2.5: 51 – 100	Medium air quality
PM2.5: 101 – 150	Slightly polluted air
PM2.5: 151 – 500	Highly polluted air



Note:

The air quality value is shown on the control panel only approximately 2 minutes after the air purifier is turned on. During this time, the dust sensor **A9** is performing an analysis of air quality in the room.



Note:

When not using the air purifier for an extended period of time, disconnect the power cord from the power socket, clean the air purifier according to the instructions in part "Cleaning and maintenance" and store it in a dry and well ventilated place.

CLEANING AND MAINTENANCE

Cleaning the outer surface

- Before cleaning the purifier, turn it off and disconnect it from the power socket. Wipe the outer surface using a cloth lightly dampened in lukewarm water. Then wipe everything so that it is thoroughly dry. For cleaning, do not use abrasive cleaning products and solvents as this could damage the surface of the appliance.



Warning:

To prevent the risk of injury by electrical shock, do not submerge the appliance, power cord or power plug into water or another liquid.

Cleaning and maintenance of the inflow filter

- To ensure the correct operation and effectiveness of the air purifier, it is important to regularly clean the inflow filter. The inflow filter must be cleaned every month. Depending on the operating conditions, it will be necessary to clean the filter more often.
- Before cleaning the inflow filter, make sure that the air purifier is turned off and disconnected from the power socket. The inflow filter may be washed in clean lukewarm water. Then, allow it to dry naturally. Before reinserting it, check that the inflow filter is completely dry. Do not use sharp objects for cleaning, as this could cause damage. The lifetime of the inflow filter is approximately 2 years.

Cleaning and maintaining the HEPA filter and carbon filter

- To ensure the correct operation and effectiveness of the air purifier, it is important to regularly clean the HEPA filter **A3** and carbon filter **A4**. Clean both filters at least once every 3 months. Before cleaning the filters, make sure that the air purifier is turned off and disconnected from the power socket.
- Take them out of the purifier, place them on a soft mat in a dry place (may also be in the sun) and allow them to dry. To clean the filters, use a vacuum cleaner with an attached brush nozzle, which will enable dust and dirt to be removed quickly and easily.

- The HEPA filter **A3** and carbon filter **A4** have approximately the same lifetime (approx. 1 year), therefore always replace them at the same time.



Attention:

The carbon filter **A4** and HEPA filter **A3** are not washable!

Replacing the UV-C lamp

- Before replacing the UV-C lamp **A8**, make sure that the air purifier is turned off and disconnected from the power socket. In order to replace the UV-C lamp **A8**, it is necessary to first open the front cover **A1** and to remove the filters. Using a screwdriver, open the cover of the UV-C lamp. Carefully unscrew the lamp from the holder. Screw a new UV-C lamp into the holder and attach the lamp cover. Insert the filters back in the correct order and then finally close the front cover **A1**.



Attention:

Under no circumstances should you ever look directly into a turned on UV-C lamp. Risk of eye damage.

Cleaning of the dust sensor

- In order to ensure the optimal operation of the dust sensor, it is necessary to clean it once per month. When using the air purifier in a dusty environment, it will be necessary to clean the dust sensor **A9** more frequently.
- Using a soft brush, clean the inlet and outlet of the dust sensor chamber.
- Open the dust sensor chamber cover. Using a lightly dampened soft sponge, wipe the dust sensor and the inlet and outlet openings of the dust sensor chamber. Wipe dry using cotton buds. Then put the cover back on.



Warning:

Do not use corrosive, flammable or any other similar substances to cleaning the appliance. There is a risk of irreversibly damaging the appliance.



Note:

Regular maintenance and correct handling may extend the lifetime of the appliance.

TROUBLESHOOTING



Attention:

Before performing any of the following checks, make sure that the air purifier is turned off and disconnected from the power socket.

Problem	Solution
The purifier turned off suddenly, not working.	Check that it is connected to a working power socket. Check that the filters are properly installed. Check that the motor switch is not damaged. Disconnect and reconnect the power cord into the power socket. Check that the control panel is correctly mounted on the purifier. If the problem persists, please contact an authorised service centre.
Insufficient air flow	Disconnect the power cord from the power socket and check the filters. Clean the filters as necessary. Replace the HEPA and carbon filter.
Increased noise level	Check that the filters are clean. Replace if necessary.
The purifier is not removing unpleasant odours or smoke.	Clean or replace the filters when they are excessively dirty.
The air coming out of the purifier has an unpleasant odour.	Check that the filters are clean. Replace if necessary. Air purifiers leave small traces of ozone, which may cause an unpleasant odour. The amount of ozone created by the ion generator is below the safe level, nevertheless this is not dangerous.

TECHNICAL SPECIFICATIONS

Rated voltage.....220–240 V~
 Rated frequency.....50 Hz
 Rated power input70 W
 Noise level.....32/45/57/62 dB(A)
 CADR (clean air delivery rate)483 m³/h
 UV-C lamp wave length254 nm
 Lifetime of UV-C lamp.....Approximately 10,000 hours
 Recommended room areaApprox. 50 m²
 Weight9.2 kg
 Dimensions445 x 238 x 680 mm (L x W x H)

The declared noise emission level of the appliance is 32/45/57/62 dB(A), which represents a level A of acoustic power with respect to a reference acoustic power of 1 pW.



Safety class for electrical shock protection:

Class II – Electrical shock protection is provided by double or heavy-duty insulation.

We reserve the right to change text and technical specifications.

INSTRUCTIONS AND INFORMATION REGARDING THE DISPOSAL OF USED PACKAGING MATERIALS

Dispose of used packaging material at a site designated for waste in your municipality.

DISPOSAL OF USED ELECTRICAL AND ELECTRONIC EQUIPMENT



This symbol on products or original documents means that used electric or electronic products must not be added to ordinary municipal waste. For proper disposal, renewal and recycling hand over these appliances to determined collection points. Alternatively, in some European Union states or other European countries you may return your appliances to the local retailer when buying an equivalent new appliance.



Correct disposal of this product helps save valuable natural resources and prevents potential negative effects on the environment and human health, which could result from improper waste disposal. Ask your local authorities or collection facility for more details.

In accordance with national regulations penalties may be imposed for the incorrect disposal of this type of waste.

For business entities in European Union states

If you want to dispose of electric or electronic appliances, ask your retailer or supplier for the necessary information.

Disposal in other countries outside the European Union

This symbol is valid in the European Union. If you wish to dispose of this product, request the necessary information about the correct disposal method from the local council or from your retailer.



This product meets all the basic requirements of EU directives related to it.