



## EN ■ Ceramic heater

*Translation of the original manual*

This product is only suitable for well insulated spaces or occasional use!

### READ CAREFULLY AND STORE FOR FUTURE USE.

- This appliance may be used by children 8 years of age and older and by persons with physical or mental impairments or by inexperienced persons, if they are properly supervised or have been informed about how to use of the product in a safe manner and understand the potential dangers. Children must not play with the appliance. Cleaning and maintenance performed by the user must not be performed by unsupervised children.
- If the power cord is damaged, it must be replaced by the manufacturer, its service technician or by a similarly qualified person, as this will prevent a dangerous situation from arising.
- Children younger than 3 years of age should be prevented from accessing the appliance unless they are under constant supervision.
- Children from 3 to 8 years of age must only turn this appliance on/off under the condition that it is located or installed in its intended normal operating position and that they are under supervision or were informed about the safe operation of the appliance and understand the potential hazards. Children from 3 to 8 years of age must not insert the plug into the power socket, regulate or clean the appliance or carry out maintenance performed by the user.



**ATTENTION – Certain parts of this product may become very hot and cause burns. Special attention should be paid when children and handicapped people are present.**



### **WARNING:**

**Do not cover. To prevent overheating, do not cover the heater.**

- The heater must not be located directly underneath a power socket.
- Children must not play with the appliance.
- Do not subject people or animals to the direct flow of hot or cold air for an extended period of time. This could negatively affect their health.
- Before connecting the appliance to a power socket, check that the rated voltage on its rating label matches the electrical voltage in the power socket.
- Do not connect the appliance to an extension cord or multi-socket adapter.



**Attention:** Do not use this appliance with a programmable switch, timer switch, a remote control system or any other component that would automatically switch the appliance on and off.

- The appliance is designed for use in households, offices and similar types of areas.



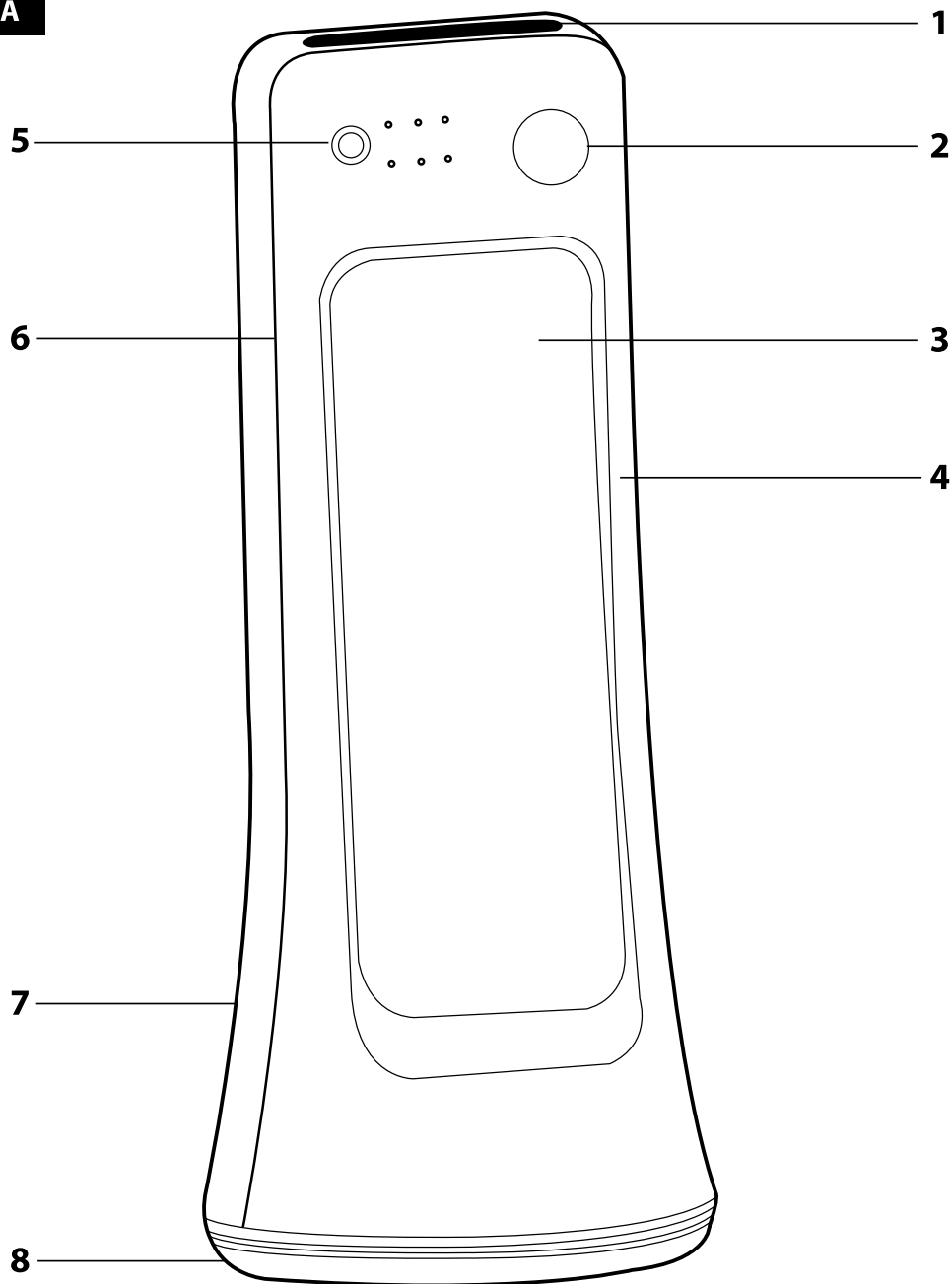
**Attention:** This appliance is not equipped with a device for controlling room temperature. Do not use it in small rooms if they are inhabited by persons that are incapable of leaving this room on their own unless they are under constant supervision.

- Do not use the appliance in very dusty or humid rooms such as laundries or bathrooms, in areas where chemicals are stored, in industrial surroundings or outdoors.
- Do not use the appliance in the near vicinity of a bath, shower or swimming pool.
- This appliance is not intended to be mounted on a wall.
- Do not place the appliance on unstable surfaces such as carpets with very long and thick fibres. The appliance must be located on a stable and even surface.
- Do not use the appliance near furniture, curtains, drapes or other flammable materials.
- Free space of at least 100 cm in front of the appliance and 50 cm behind the appliance must be maintained while it is running to ensure sufficient air circulation.
- Do not insert any objects through the front air outflow grill or the back air inflow grill. This could lead to an electrical short circuit, fire or damage to the appliance.
- To avoid potential injury by electrical shock do not submerge any part of this appliance in water or any other liquid and do not touch the appliance with damp or wet hands.
- Always turn off the appliance and disconnect it from the power socket when not using it or before cleaning it.
- Do not leave the appliance in operation while sleeping.
- When cleaning the appliance, do not submerge it in water or wipe it with a wet cloth.
- To avoid damaging the power cord, do not excessively bend or twist it.
- Ensure that the power cord does not come into contact with hot surfaces or sharp objects.
- Do not disconnect the appliance from the power socket by pulling on the power cord. This could damage the power cord or the power socket.
- Disconnect the cord from the power socket by gently pulling the plug of the power cord.
- If the power cord is damaged, it must be replaced by an authorised service centre or by another similarly qualified person, this will prevent the creation of a dangerous situation.
- Do not use the appliance if it is not working correctly, if it has been damaged or has been submerged in water. To avoid the danger of injury by electrical shock, do not repair the appliance yourself or make any adjustments to it. Have all repairs or adjustments of the appliance performed at an authorised service centre. By

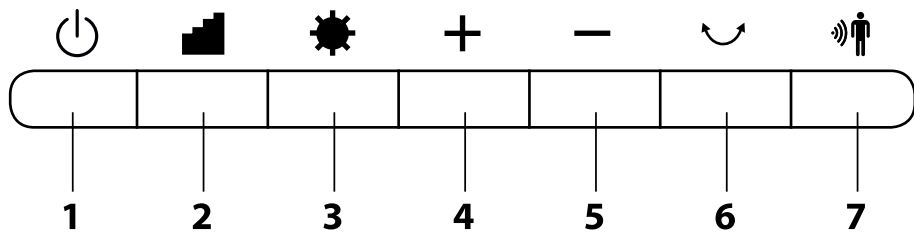
tampering with the appliance, you risk voiding your legal rights arising from unsatisfactory performance or quality warranty.

- The manufacturer is not responsible for any damages caused by the incorrect use of this appliance.

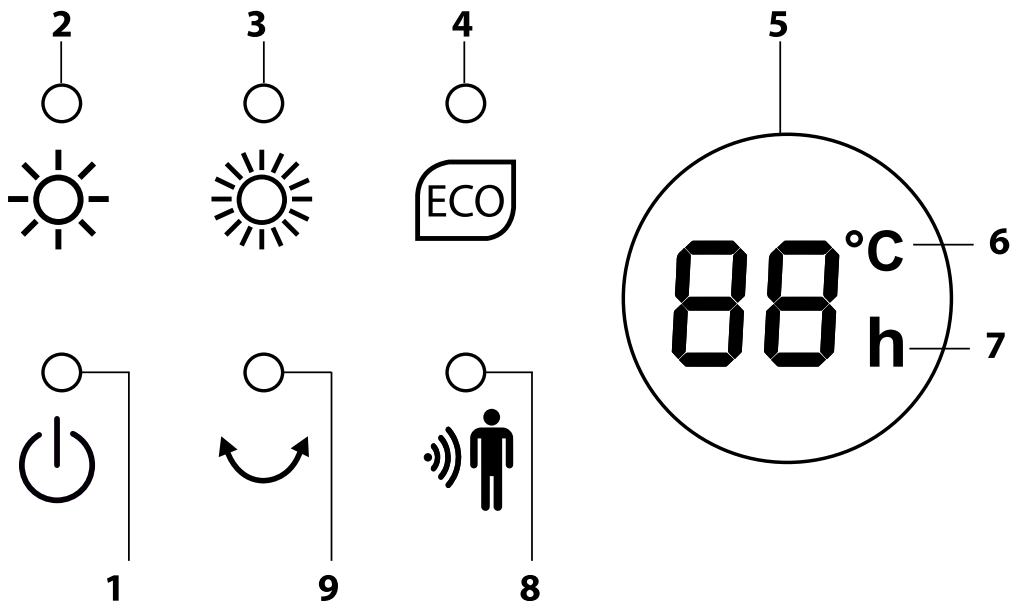
**A**

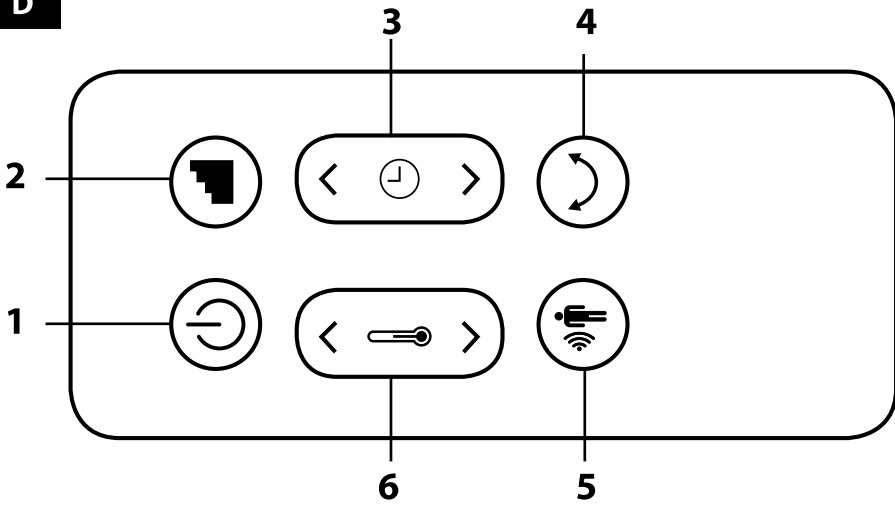
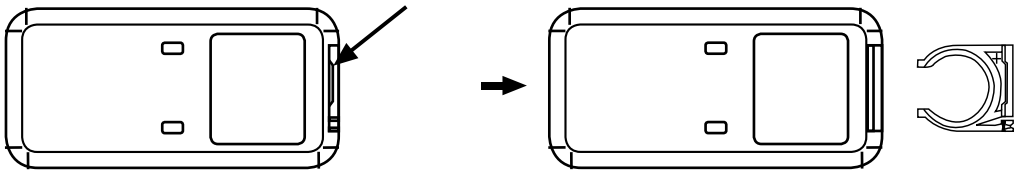
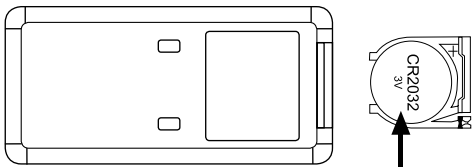


**B**



**C**



**D****E1****E2**

- Prior to using this appliance, please read the user's manual thoroughly, even in cases where you have previously familiarised yourself with the operation of similar types of appliances. Only use the appliance in the manner described in this user's manual. Keep this user's manual in a safe place where it can be easily retrieved for future use.
- We recommend saving the original cardboard box, packaging material, purchase receipt and responsibility statement of the vendor or warranty card for at least the duration of the legal liability for unsatisfactory performance or quality. In the event of transportation, we recommend that you pack the appliance in the original box from the manufacturer.

## DESCRIPTION OF THE APPLIANCE

- A1** Control panel
- A2** LED display
- A3** Protective grille
- A4** Front cover

- A5** Body sensor
- A6** Rear cover
- A7** Main O/I switch
- A8** Heater base

## DESCRIPTION OF THE CONTROL PANEL

- B1** On/Off button
- B2** Heat setting button
- B3** Timer activation / temperature setting button
- B4** Increase timer / temperature button

- B5** Reduce timer / temperature button
- B6** Oscillation button
- B7** Body sensor button

## DESCRIPTION OF THE DISPLAY AND INDICATORS

- C1** On / Off indicator
- C2** Low heating power indicator
- C3** High heating power indicator
- C4** Power-saving ECO mode indicator
- C5** Numerical display

- C6** Temperature icon in °C
- C7** Hour timer icon
- C8** Body sensor indicator
- C9** Oscillation indicator

## DESCRIPTION OF THE REMOTE CONTROL

- D1** On/Off button
- D2** Operating mode selection button
- D3** Timer setting button

- D4** Oscillation button
- D5** Body sensor button
- D6** Temperature setting button

## BEFORE USING

- Before first use, take the appliance and its accessories out of the packaging material and remove all promotional labels and stickers. Check that neither the appliance nor any of its parts is damaged.

### Inserting batteries into the remote control

1. Pull the battery holder out of the underside of the remote control – see figure **E1**.
2. Insert type CR2032 battery into the holder. Ensure correct polarity – see figure **E2**.
3. Reinsert the holder with the battery into the remote control.

- If you wish to use the remote control, point it at approximately the level of the display **A2**. The maximum signal range is 6 m. If the remote control is positioned in such a way that obstacles prevent the transmission of the signal, then the signal may not be transmitted at all.



#### Note:

When not being used, the remote control should be stored in a cool, dry place. When not being used for an extended period of time, remove the batteries from the remote control. Never put the batteries in a fire, short circuit them or damage them in any way. Dispose of them ecologically at the end of their lifetime. Never throw batteries out with communal waste.

## CONTROLLING THE HEATER

### Locating the heater

- Locate the heater on an even and rigid surface at a sufficient distance from the power socket.
- Insert the power plug into a power socket.
- After inserting the plug into the power socket, set the main switch **A7** to position I (On), a sound is made and the heater is automatically set to stand-by mode. The On / Off indicator **C1** will be lit, but the other indicators and the display **A2** will be off.
- Press button **B1** (**D1** on the remote control) and the heater will turn on. Low heating power is automatically set, the low heating power indicator **C2** is lit on display **A2** together with the current room temperature, the fan will be activated and the heater will start heating the room to 25 °C. This is preset at the factory.

### Turning off the heater

- Press button **B1** (**D1** on the remote control) and the heater will switch to the stand-by mode. A 30-second countdown will start on the display **A2**, and when it elapses the display **A2** will turn off. The On / Off indicator **C1** will remain lit in the stand-by mode. To completely turn off the heater, set the main switch **A7** to position 0 (Off) and disconnect the power plug from the power socket.



#### Note:

A slight odour may be felt when the heater is first turned on or after an extended period where it has not been used. This will go away after a short while.

### Setting heating power

- The heating setting button **B2** (**D2** on the remote control) can be used to set the desired heating power of the heater. Repeatedly press button **B2** (**D2** on the remote control) to change the heating power in the following order: low heat – high heat – power-saving ECO mode. Each time it is pressed, the respective indicator will also be lit.

### Power-saving ECO mode

- If you select the power-saving ECO mode, the appliance will automatically adjust its heating output based on the current room temperature. If the temperature in the room falls below 18 °C, it will set high heat output. If the temperature in the room is in the range 18–22 °C, it will set low heat output. If the temperature in the room is higher than 22 °C, the heater will stop heating. However, as soon as the temperature falls, the heater will automatically turn on and set the required heat output.



#### Note:

When the heater is started from the stand-by mode, the heater will automatically resume at the last set heat output. If the last set heat was set to high heat, then low heat will be activated for the first 10 seconds and then the heater will automatically switch to high heat.



## Setting oscillation

This function makes it possible to automatically turn the body of the appliance from side to side. Press the oscillation button **B6 (D4)** on the remote control once, the oscillation indicator **C9** will turn on and the appliance will automatically start turning from side to side. Press the oscillation button **B6 (D4)** on the remote control again and the appliance will stop.

## Setting the timer

- This heater enables a time to be set, after which it will automatically switch to the stand-by mode.
- Press button **B3 (D3)** on the remote control and the icon "h" **C7** will be lit on the display **A2**. Use buttons + **B4** / - **B5** (up and down arrows on button **D3**) to set the automatic shut-off time in the range 0–24 hours. Each time the button is pressed, the time will increase or decrease by 1 hour. The timer duration is shown on the display **A2**.
- If buttons + **B4** / - **B5** (up and down arrows on button **D3**) are not pressed within 5 seconds or if another button is pressed, then this will exit the timer settings.
- As soon as the set time elapses, the heater will automatically switch to the stand-by mode.
- If you need to adjust a timer duration that has already been set, press button **B3 (D3)** on the remote control once and use buttons + **B4** / - **B5** (up and down buttons on button **D3**) to adjust the time.

## Setting the temperature

- Press button **B3 (D6)** on the remote control twice and the icon "°C" **C6** will be lit on the display **A2**. Use buttons + **B4** / - **B5** (up and down buttons on button **D6**) to set the desired temperature in the range 5 – 35 °C. Each time the button is pressed the temperature increases or decreases by 1 °C. The set temperature is shown on the display **A2**.
- If buttons + **B4** / - **B5** (up and down arrow on button **D6**) are not pressed within 5 seconds or if another button is pressed, then this will exit the temperature settings.
- In the event that the temperature in the room falls below -10 °C, then the display **A2** will show "LO". Conversely, in the event that the temperature in the room is higher than 40 °C, then the display will show "HI". In both cases, it will not be possible to set the temperature.
- If you need to adjust a temperature setting that has already been set, press button **B3 (D6)** on the remote control twice and use buttons + **B4** / - **B5** (up and down buttons on button **D6**) to adjust the temperature. Confirm again by pressing button **B3 (D6)** on the remote control.
- The heater will start within approximately 10 seconds of being turned on. In the event that the heater detects that the temperature in the room is higher than the set temperature, the heater will automatically switch to the stand-by mode, nevertheless, the fan will continue to run for approximately 30 seconds. Once the temperature in the room falls 2 °C below the set temperature, the heater will automatically turn on and the indicators of the current heat output will be lit.



### Note:

If you set both the timer and the temperature, then the set timer and temperature values will be shown intermittently on the display **A2** in 30-second intervals. If only one value is set, then only the given value will be shown.

## Body sensor

- The heater is fitted with an infra-red sensor for detecting people (Body sensor) up to a distance of 1.8 m. To turn on the Body sensor, press button **B7 (D5)** on the remote control. The indicator **C8** will be lit. If you need to turn off the Body sensor, press button **B7 (D5)** on the remote control again and the indicator **C8** will turn off.
- If the body sensor is turned on, it can detect people up to a distance of 1.8 m and the heater will keep running. As soon as it does not detect a person within the given distance, it will automatically switch to the stand-by mode after 2 minutes (the fan will continue to run for 30 seconds) and the Body sensor **A5** will flash. The heater will start again when it detects a person within its detection range.
- If the heater settings are adjusted while it is in stand-by mode, the heater will not start with the new settings until it detects a person within its detection range.



### Note:

The indicators will automatically dim by approximately 1/3 when the heater has been running for longer than 1 minute. This is normal.

## AUTOMATIC SHUT-OFF SAFETY FUNCTION

- The ceramic heater is equipped with a safety mechanism that automatically turns it off when it is tipped over. This safety mechanism serves a safety function and prevents dangerous situations from arising.

## THERMAL PROTECTION

- The ceramic heater is equipped with double thermal protection – resettable and non-resettable thermal fuse. The resettable fuse is activated and turns off the heater in the event that it overheats.
- In the event that such a situation occurs, use button **B1 (D1)** on the remote control to switch the heater to the stand-by mode. Then set the main switch O/I **A7** to position O (turned off) and disconnect the power cord from the power socket. Allow the ceramic heater to cool down. After it cools down, the resettable thermal fuse is deactivated and the heater can be put back into operation.
- For reasons of increased safety, the ceramic heater is furthermore equipped with a non-resettable thermal fuse as protection in the event that the first thermal fuse fails. In the event that the non-resettable thermal fuse is activated, the ceramic heater will turn off permanently. In such an event, please contact an authorised service centre.

## MAINTENANCE AND CLEANING

- Ensure that the appliance is turned off and that it has cooled down before cleaning it.
- Clean the appliance using a soft dry cloth. Do not use chemicals or abrasive cleaning products for cleaning. Otherwise the surface of the appliance may be damaged.



### Warning:

To prevent the risk of injury by electrical shock, do not submerge the appliance, power cord or power plug into water or another liquid.

## STORAGE

- When not using the appliance, store it in a dry, clean place out of children's reach. Allow the appliance to cool down before storing it.

## TECHNICAL SPECIFICATIONS

Rated voltage .....	220 – 240 V ~
Rated frequency .....	50-60 Hz
Rated power input .....	2,000 W
Noise level .....	≤ 50 dB(A)

The declared noise emission level of the appliance is ≤ 50 dB(A), which represents a level A of acoustic power with respect to a reference acoustic power of 1 pW.



### Safety class for electrical shock protection:

Class II – Electrical shock protection is provided by double or heavy-duty insulation.

We reserve the right to change the text and technical specifications.

## INSTRUCTIONS AND INFORMATION REGARDING THE DISPOSAL OF USED PACKAGING MATERIALS

Dispose of used packaging material at a site designated for waste in your municipality.

### DISPOSAL OF USED ELECTRICAL AND ELECTRONIC EQUIPMENT



This symbol on products or original documents means that used electric or electronic products must not be added to ordinary municipal waste. For proper disposal, renewal and recycling hand over these appliances to determined collection points. Alternatively, in some European Union states or other European countries you may return your appliances to the local retailer when buying an equivalent new appliance.

Correct disposal of this product helps save valuable natural resources and prevents potential negative effects on the environment and human health, which could result from improper waste disposal. Ask your local authorities or collection facility for more details.

In accordance with national regulations penalties may be imposed for the incorrect disposal of this type of waste.

#### For business entities in European Union states

If you want to dispose of electric or electronic appliances, ask your retailer or supplier for the necessary information.

#### Disposal in other countries outside the European Union.

This symbol is valid in the European Union. If you wish to dispose of this product, request the necessary information about the correct disposal method from the local council or from your retailer.



This product meets all the basic requirements of EU directives related to it